

PassPort 4

2/2020



PassPort Machine for Numbering, Laser Perforation and Chip Programming

Features

- Suitable for (electronic) Machine Readable Travel Document (eMRTD) according to ISO and ICAO standards
- Highest productivity and reliable production in terms of quality and output
- Sophisticated technology for easy operation and maintenance
- Rigid design for increased life expectancy (>30 years)
- Modular layout in order to accommodate various types of passports and future upgrades



PassPort 4

After the books have been sewn, laminated and cut to size using the Passport 1, 2 and 3, the PassPort 4 numbers the books with a gothic number and/or a laser perforated number. Alternatively or additionally, a barcode of the passport number can be applied into the book or printed onto a label. Optionally chip can be simultaneously verified and initialized for e-passports. Also inkjet numbering or number engraving with a YAG laser on polycarbonate card are available.

All styles of passports and e-passports can be manufactured by combining machine PassPort 4 with our PassPort 1, 2 and 3 machines.

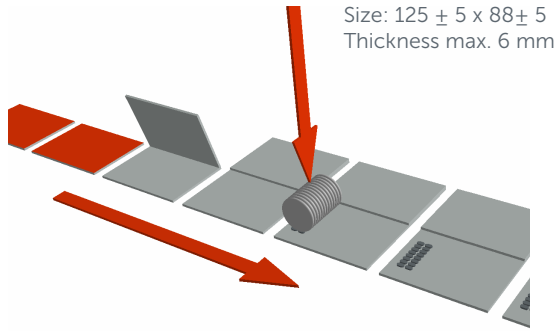
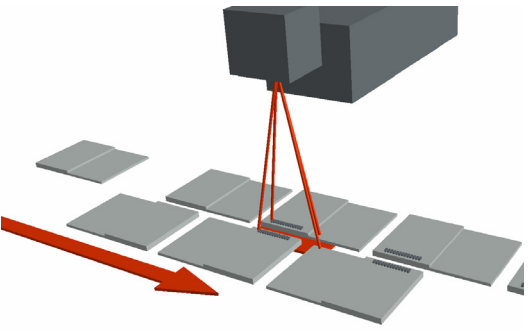
PassPort 4 base equipment

- Opening of cover and pages according to passport layout
- CRN impact number/barcode 39 printing
- Camera control of printed numbers/bar codes
- Registration of Chip-UIDs and passport numbers
- Opening of additional pages
- Laser perforation of the number with round or shaped holes (square, triangle, oval, star)
- Offset transport for optimum utilisation of laser cycles
- Camera control of perforated numbers
- Vertical delivery

Add-on options

- Magazine infeed
- Feeder with increased capacity
- Chip initialization & programming
- Inkjet number printing
- Numbering on Polycarbonate by YAG laser
- Magazine delivery
- Stack delivery
- Track & trace system with Industry 4.0 capabilities

Technical data

	PassPort 4-25, 4-45 and 4-50	
Cycles/min	25, 45 or 50 booklets/min depending on the layout	
Size range	 CRN impact number/barcode 39 printing	 Laser numbering



CRN impact number printing



Page scanner to verify opening



Vertical book delivery

World market leader for over 50 years